

LOW EAVE (BASIC)

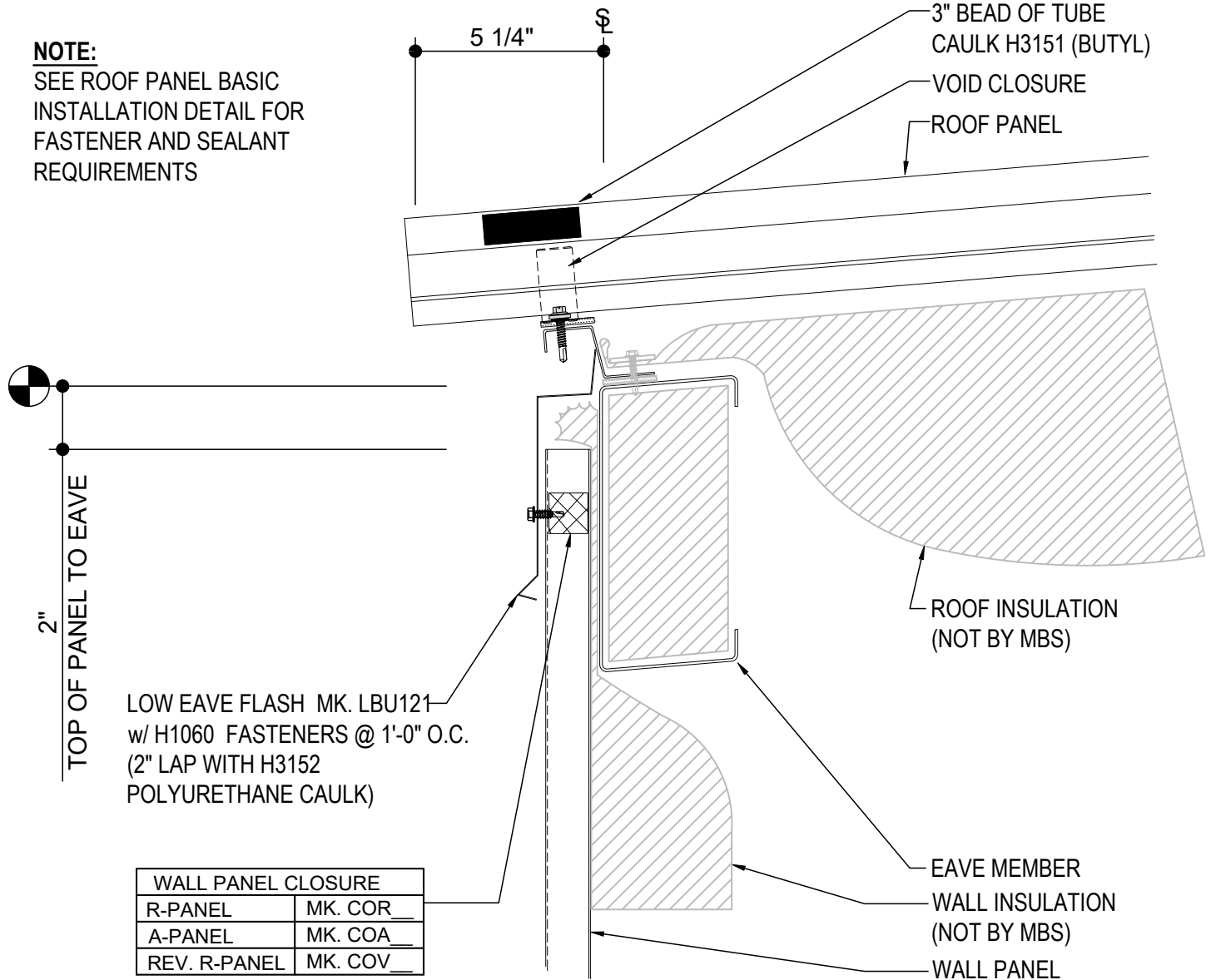
- EB6010 - BASIC EAVE - WALL PANEL
 - EB6040 - BASIC EAVE w MASONRY WALL
 - EB6050 - BASIC EAVE - SUPPORTING MASONRY WALL
 - EB6070 - BASIC EAVE - NO WALL PANEL
 - EB6100 - OPEN LEAN-TO - WALL PANEL
 - EB6140 - CLOSED LEAN-TO - WALL PANEL
 - EB6600 - OPEN LEAN-TO - INSULATED WALL PANEL
 - EB6610 - BASIC EAVE - INSULATED WALL PANEL
 - EB6640 - CLOSED LEAN-TO - INSULATED WALL PANEL
-

EB6010 - BASIC EAVE w/ WALL PANEL

[Download the DWG file by clicking here.](#)

NOTE:

SEE ROOF PANEL BASIC
INSTALLATION DETAIL FOR
FASTENER AND SEALANT
REQUIREMENTS



LOW EAVE FLASH MK. LBU121
w/ H1060 FASTENERS @ 1'-0" O.C.
(2" LAP WITH H3152
POLYURETHANE CAULK)

WALL PANEL CLOSURE	
R-PANEL	MK. COR_
A-PANEL	MK. COA_
REV. R-PANEL	MK. COV_

BASIC EAVE DETAIL

BASIC EAVE DETAIL w/ WALL PANELS

SEE WALL SHEETING ERECTION NOTES FOR WALL PANEL FASTENER LOCATIONS

EB6010

Detailer Notes:

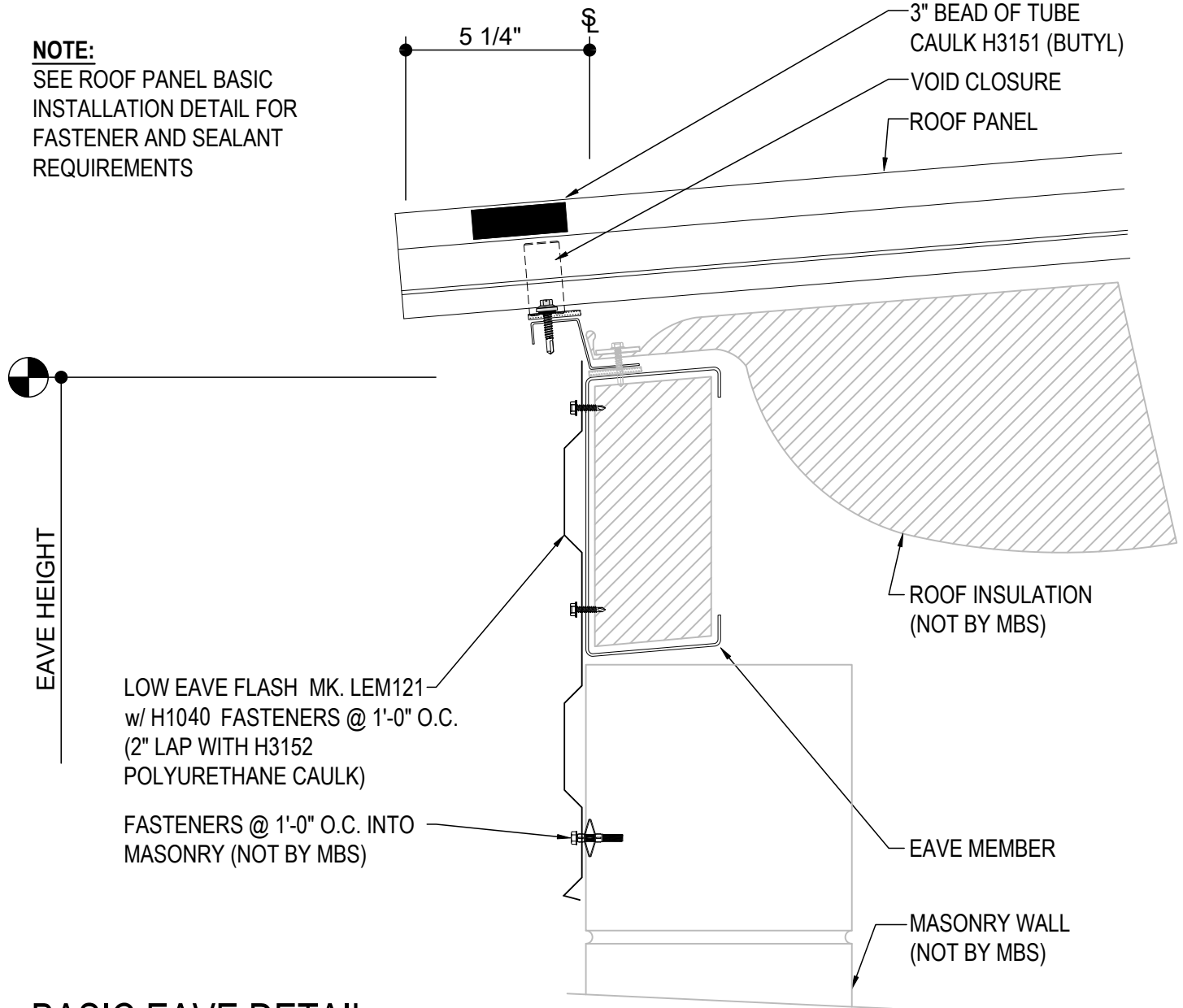
- 1) CLOSURES LOW EAVE LAYER DEFAULT IS ON. LAYER MUST BE TURNED OFF IF CLOSURES ARE NOT REQUIRED.

EB6040 - BASIC EAVE w/ MASONRY WALL

[Download the DWG file by clicking here.](#)

NOTE:

SEE ROOF PANEL BASIC
INSTALLATION DETAIL FOR
FASTENER AND SEALANT
REQUIREMENTS



BASIC EAVE DETAIL

BASIC EAVE DETAIL w/ MASONRY WALL

EB6040

Detailer Notes:

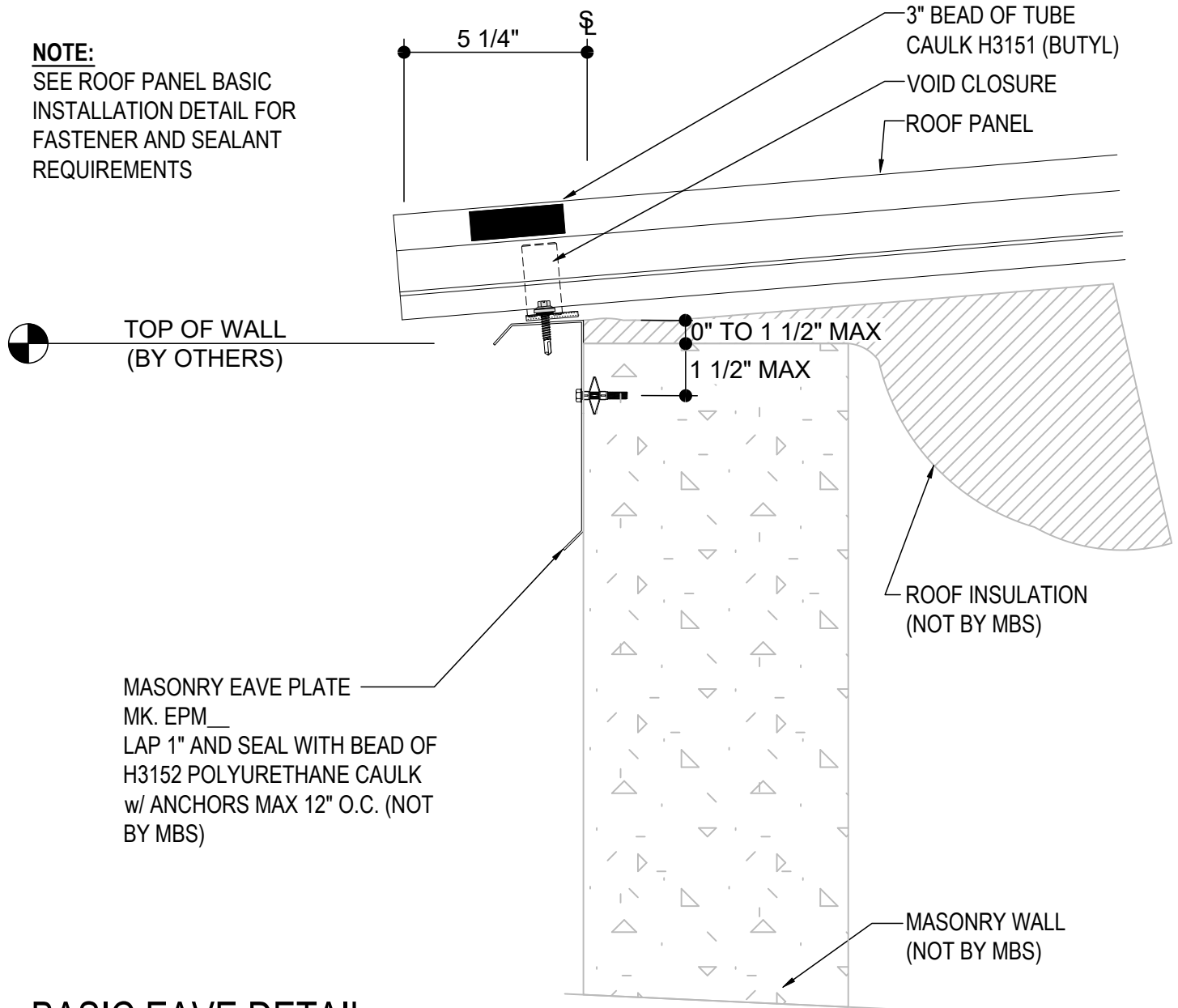
1) N/A

EB6050 - BASIC EAVE w/ SUPPORTING MASONRY WALL

[Download the DWG file by clicking here.](#)

NOTE:

SEE ROOF PANEL BASIC
INSTALLATION DETAIL FOR
FASTENER AND SEALANT
REQUIREMENTS



BASIC EAVE DETAIL

BASIC EAVE DETAIL w/ SUPPORTING MASONRY WALL

EB6050

Detailer Notes:

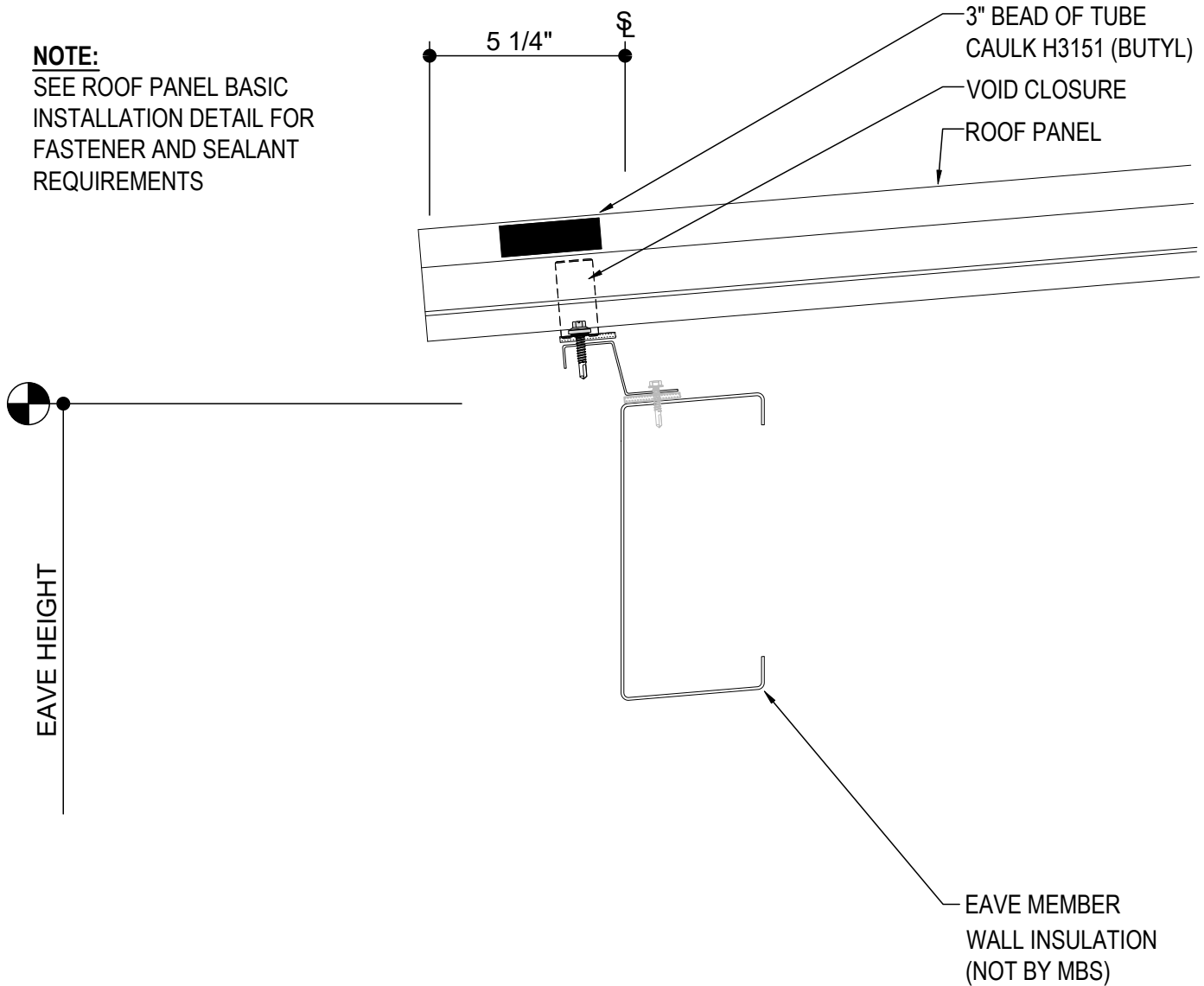
- 1) N/A

EB6070 - BASIC EAVE w/ NO WALL PANEL

[Download the DWG file by clicking here.](#)

NOTE:

SEE ROOF PANEL BASIC
INSTALLATION DETAIL FOR
FASTENER AND SEALANT
REQUIREMENTS



BASIC EAVE DETAIL

BASIC EAVE DETAIL w/ NO WALL PANEL

EB6070

Detailer Notes:

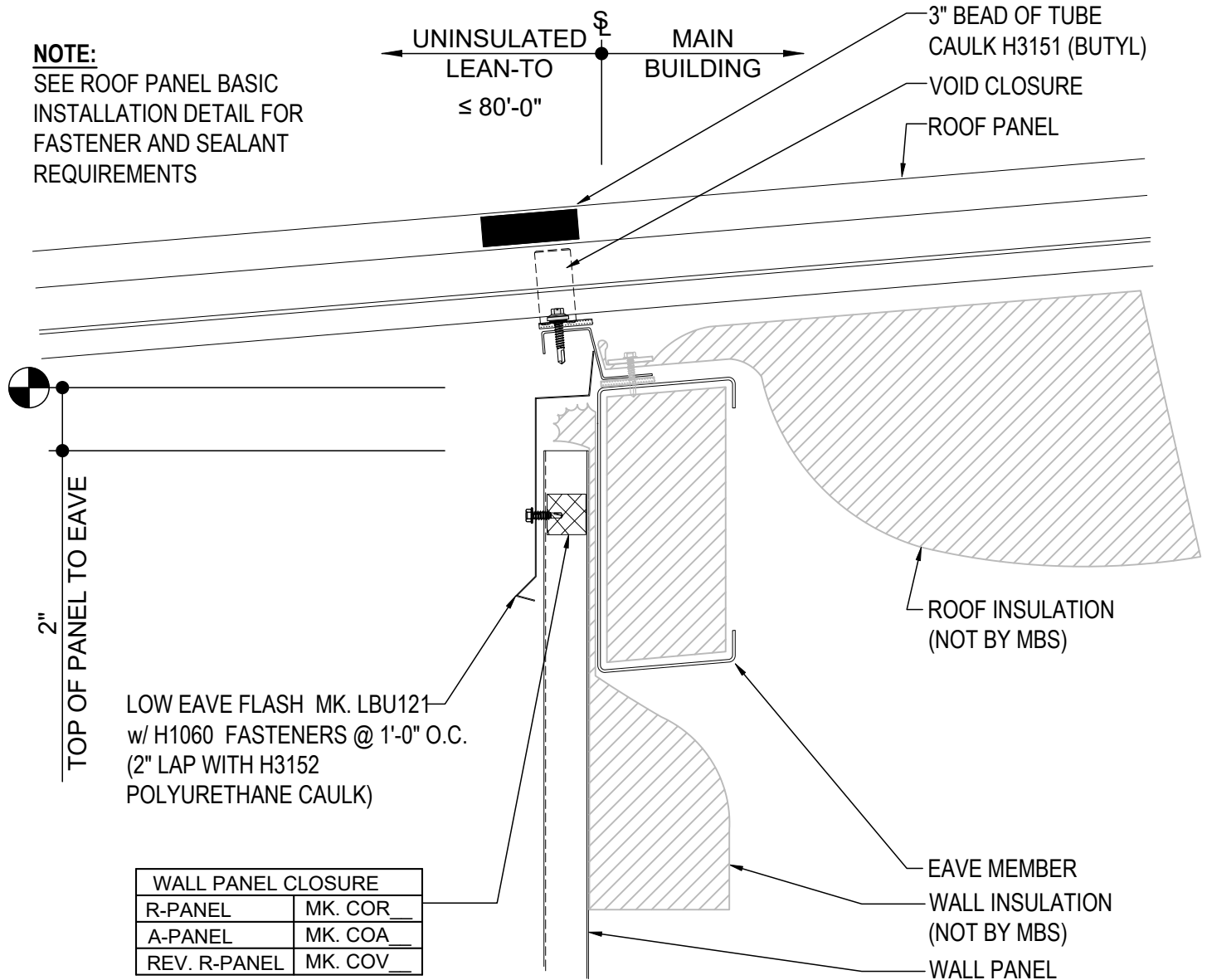
1) N/A

EB6100 - OPEN LEAN-TO w/ WALL PANEL

[Download the DWG file by clicking here.](#)

NOTE:

SEE ROOF PANEL BASIC
INSTALLATION DETAIL FOR
FASTENER AND SEALANT
REQUIREMENTS



INTERIOR EAVE DETAIL

OPEN LEAN-TO WITH ROOF PANEL CONTINUOUS
SEE WALL SHEETING ERECTION NOTES FOR WALL PANEL FASTENER LOCATIONS

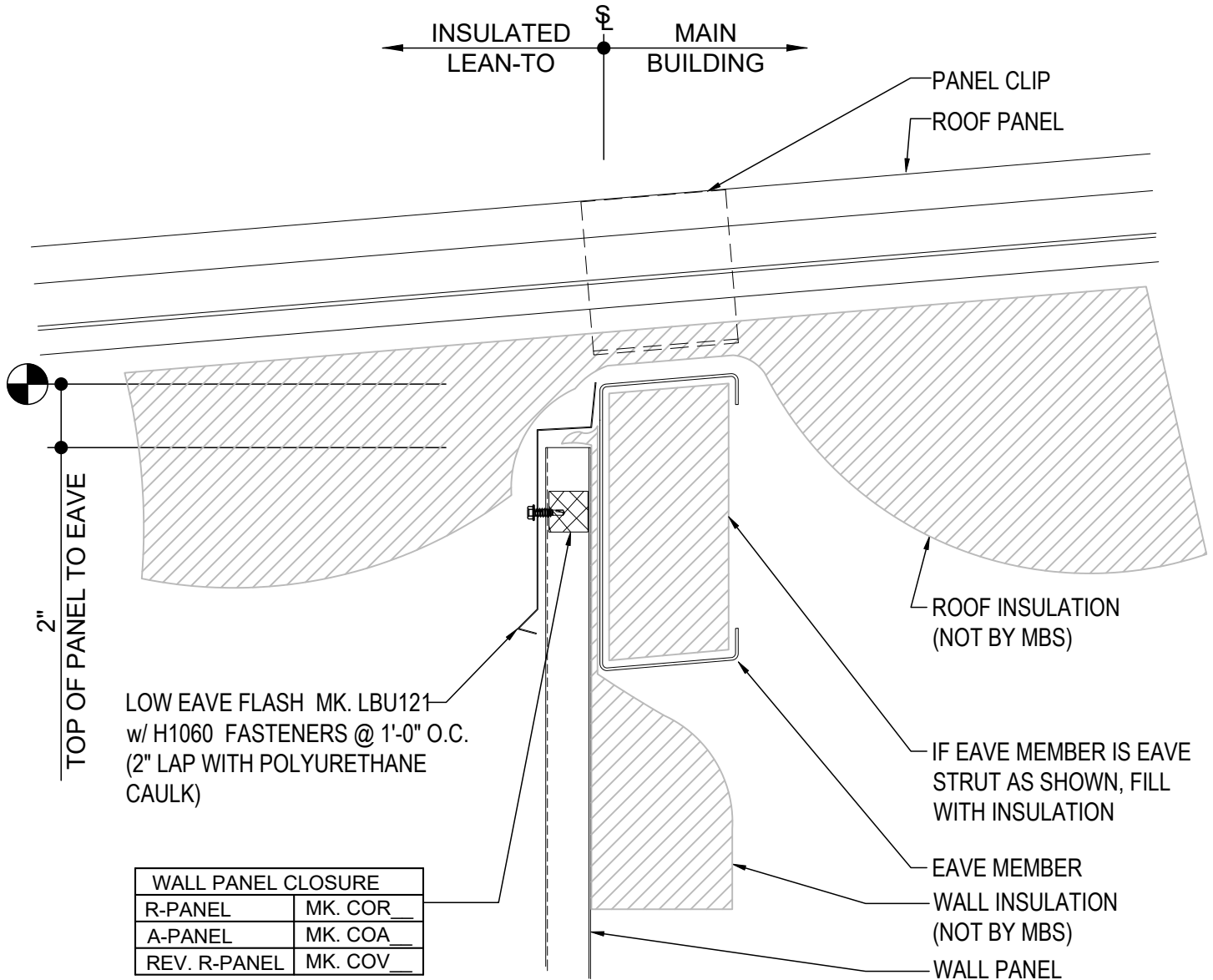
EB6100

Detailer Notes:

- 1) IF LEAN-TO IS MORE THAN 80' THE ROOF WILL NEED TO BE ALLOWED TO FLOAT FOR THERMAL EXPANSION. AN ALTERNATE METHOD FOR SEALING THIS EAVE CONDITION WILL BE REQUIRED.
- 2) CLOSURES LOW EAVE LAYER DEFAULT IS ON. LAYER MUST BE TURNED OFF IF CLOSURES ARE NOT REQUIRED.

EB6140 - CLOSED LEAN-TO w/ WALL PANEL

[Download the DWG file by clicking here.](#)



INTERIOR EAVE DETAIL

CLOSED LEAN-TO WITH ROOF PANEL CONTINUOUS
SEE WALL SHEETING ERECTION NOTES FOR WALL PANEL FASTENER LOCATIONS

EB6140

Detailer Notes:

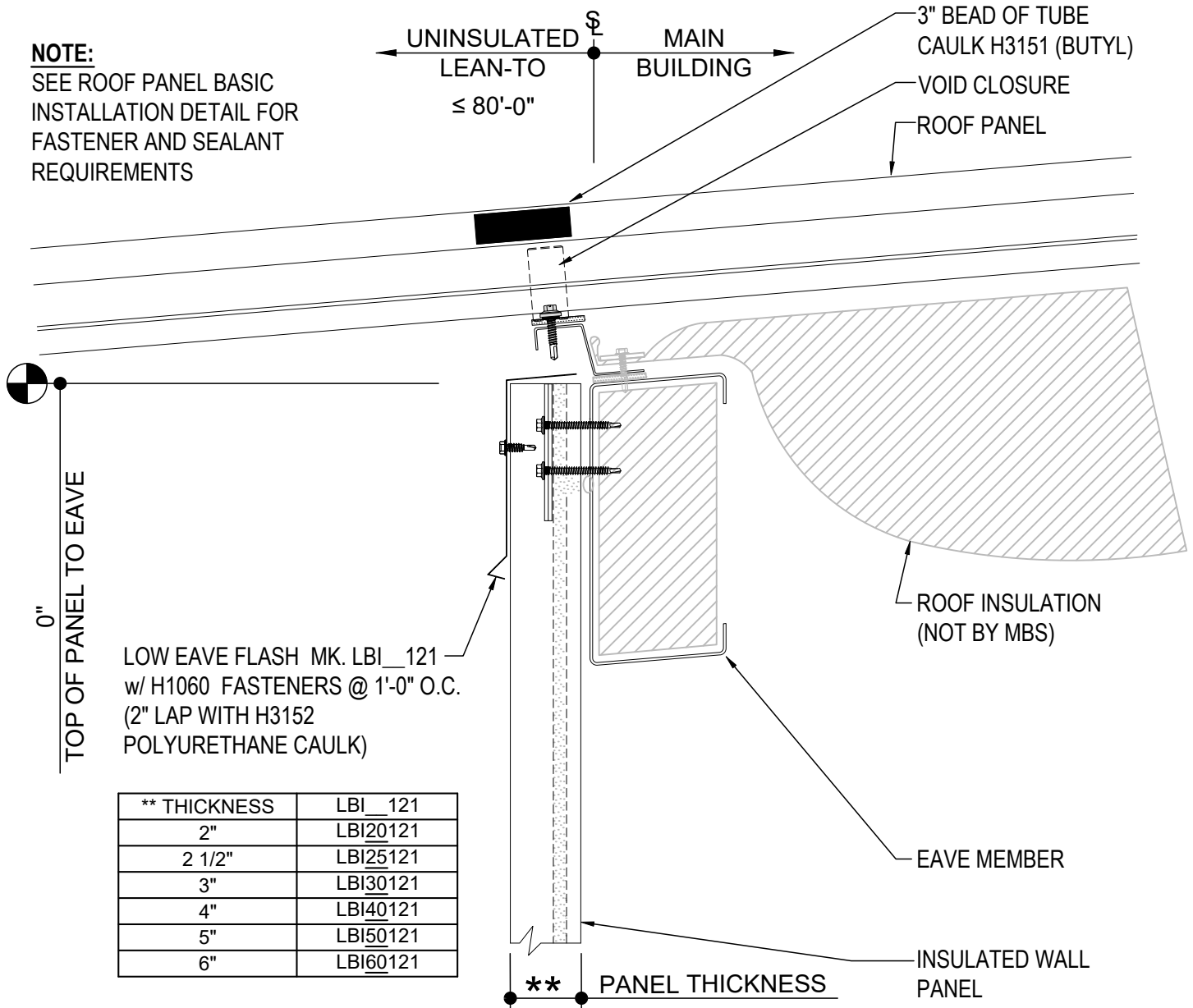
- 1) CLOSURES LOW EAVE LAYER DEFAULT IS ON. LAYER MUST BE TURNED OFF IF CLOSURES ARE NOT REQUIRED.

EB6600 - OPEN LEAN-TO w/ INSULATED WALL PANEL

[Download the DWG file by clicking here.](#)

NOTE:

SEE ROOF PANEL BASIC
INSTALLATION DETAIL FOR
FASTENER AND SEALANT
REQUIREMENTS



LOW EAVE FLASH MK. LBI_121
w/ H1060 FASTENERS @ 1'-0" O.C.
(2" LAP WITH H3152
POLYURETHANE CAULK)

** THICKNESS	LBI_121
2"	LBI20121
2 1/2"	LBI25121
3"	LBI30121
4"	LBI40121
5"	LBI50121
6"	LBI60121

INTERIOR EAVE DETAIL

OPEN LEAN-TO WITH ROOF PANEL CONTINUOUS
SEE INSULATED WALL SHEETING ERECTION DETAILS FOR INSTALLATION
INSTRUCTIONS.

EB6600

Detailer Notes:

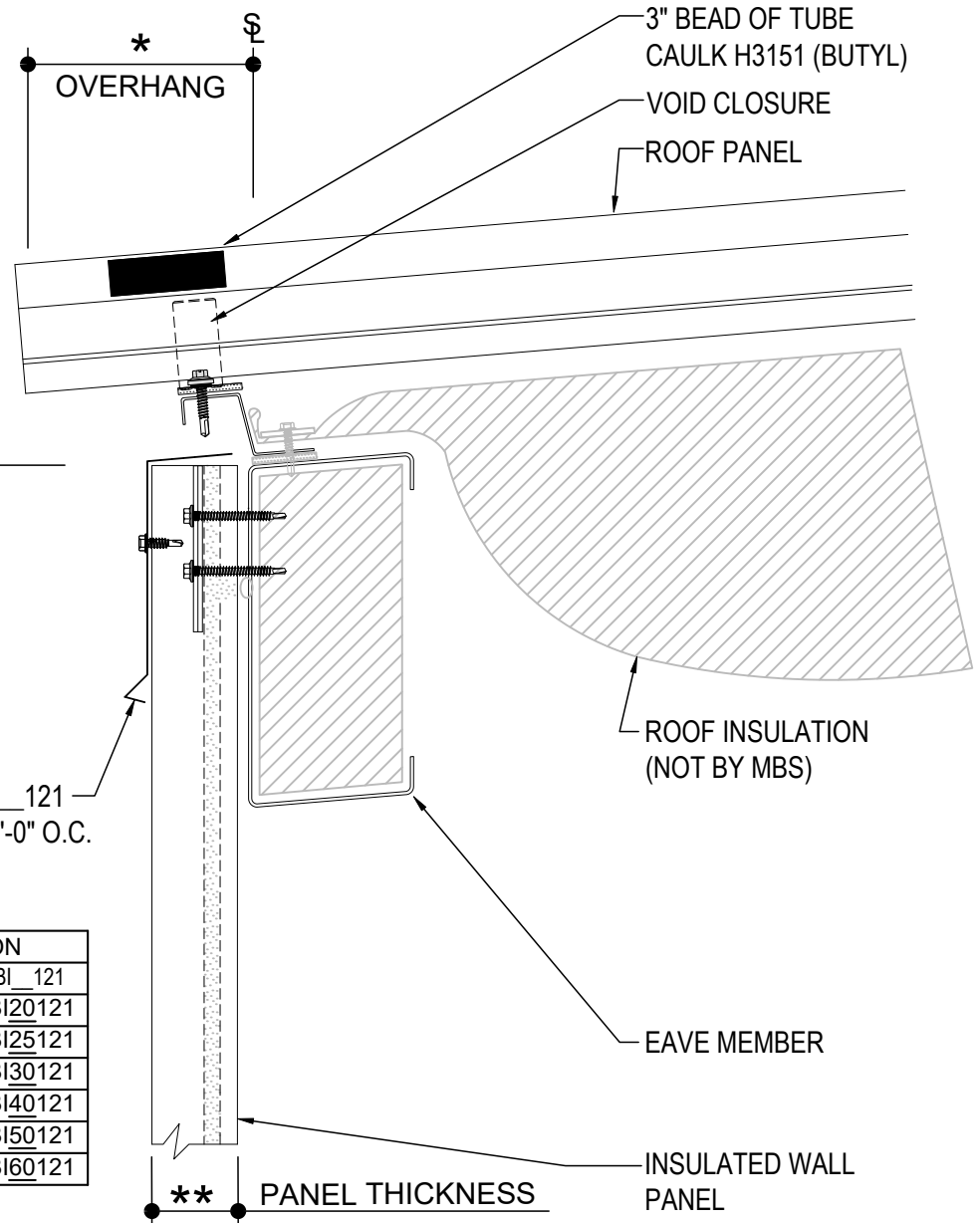
- 1) IF LEAN-TO IS MORE THAN 80' THE ROOF WILL NEED TO BE ALLOWED TO FLOAT FOR THERMAL EXPANSION. AN ALTERNATE METHOD FOR SEALING THIS EAVE CONDITION WILL BE REQUIRED.

EB6610 - BASIC EAVE w/ INSULATED WALL PANEL

[Download the DWG file by clicking here.](#)

NOTE:

SEE ROOF PANEL BASIC
INSTALLATION DETAIL FOR
FASTENER AND SEALANT
REQUIREMENTS



0"
TOP OF PANEL TO EAVE

LOW EAVE FLASH MK. LBI_121
w/ H1060 FASTENERS @ 1'-0" O.C.
(2" LAP WITH H3152
POLYURETHANE CAULK)

OVERHANG DIMENSION		
** THICKNESS	* OVERHANG	LBI_121
2"	6"	LBI20121
2 1/2"	6 1/2"	LBI25121
3"	7"	LBI30121
4"	8"	LBI40121
5"	9"	LBI50121
6"	10"	LBI60121

BASIC EAVE DETAIL

BASIC EAVE DETAIL w/ INSULATED WALL PANELS
SEE INSULATED WALL SHEETING ERECTION DETAILS FOR INSTALLATION
INSTRUCTIONS.

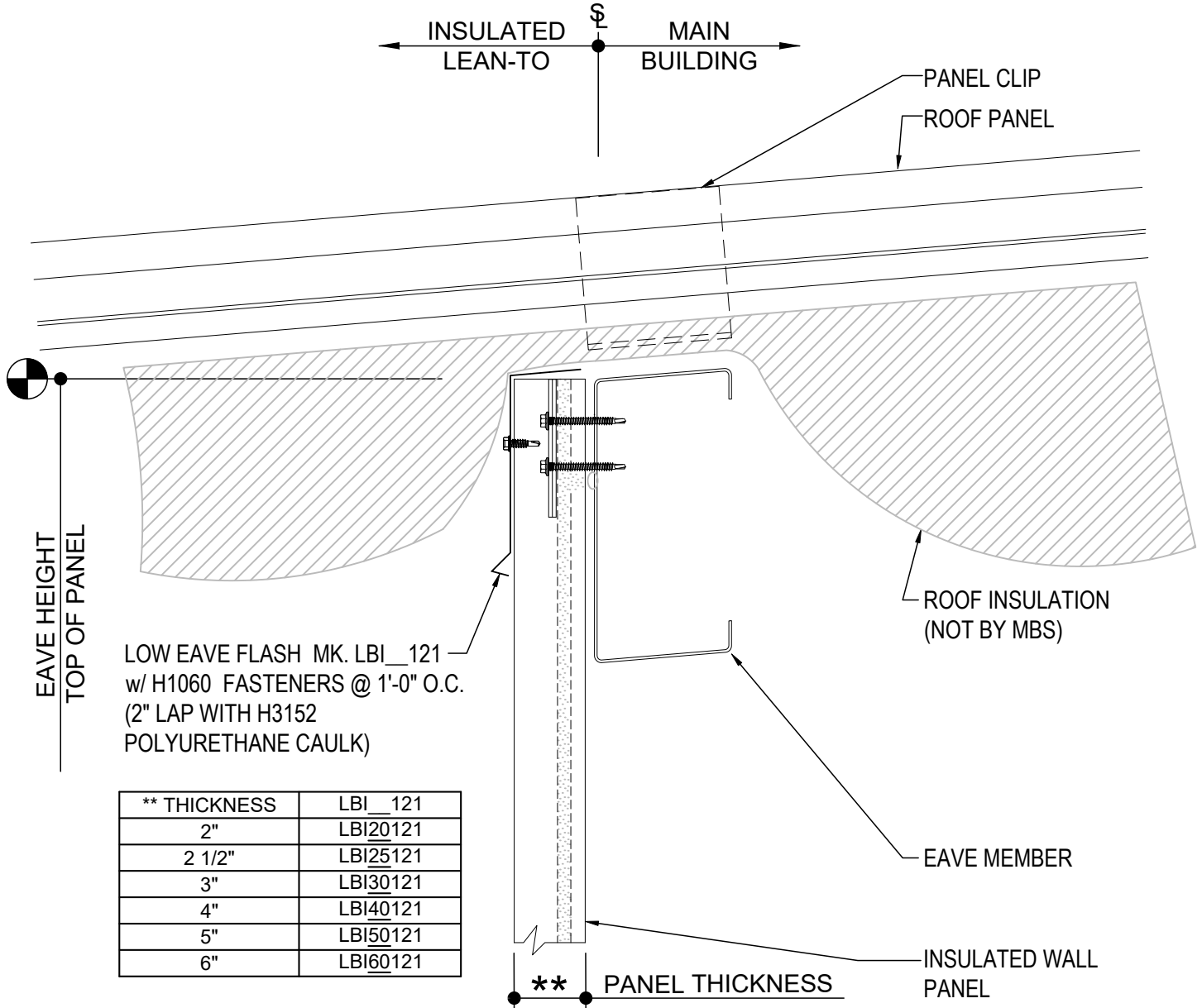
EB6610

Detailer Notes:

- 1) N/A

EB6640 - CLOSED LEAN-TO w/ INSULATED WALL PANEL

[Download the DWG file by clicking here.](#)



INTERIOR EAVE DETAIL

CLOSED LEAN-TO WITH ROOF PANEL CONTINUOUS
SEE INSULATED WALL SHEETING ERECTION DETAILS FOR INSTALLATION
INSTRUCTIONS.

EB6640

Detailer Notes:

- 1) N/A